



## COMPRESSION SEAT STEM AND BONNET ASSEMBLIES

All stem and bonnet assemblies are brass unless otherwise noted



**41-5-0**  
RIGHT HAND  
For sink mounted faucets and exposed tub/shower. Used on hot and cold sides with acrylic handles. On hot side only with lever handles.  
Streamway #108-0RH



**41-5-0LH**  
LEFT HAND LEVER HANDLE  
For sink mounted faucets and exposed tub/shower. Used on cold side with lever handle only.  
Streamway #108-0LH



**61-5-0**  
RIGHT HAND  
For concealed wall mount tub/shower, deck mount garden tub and widespread lavatory. Used on hot and cold sides with acrylic handles. On hot side only with lever handles.  
Streamway #960-0



**61-5-0LH**  
LEFT HAND LEVER HANDLE  
For concealed wall mount tub/shower, deck mount garden tub and widespread lavatory. Used on cold side with lever handle only.



**45-5-0**  
RIGHT HAND PLASTIC  
For sink mount faucets and exposed tub/shower units. Used on hot and cold sides with acrylic handles.



**P82**  
WASHERLESS CARTRIDGE PLASTIC  
For sink mount faucets and exposed tub/shower units. Used on hot and cold sides with acrylic handles.



**P22**  
RIGHT HAND PLASTIC  
For Streamway, Nibco and Phoenix Faucets. Used in sink mount faucets and exposed wall mount tub/shower. Used on hot and cold sides with acrylic handles. On hot side only with lever handles.



**P22LH**  
LEFT HAND PLASTIC  
For Streamway, Nibco and Phoenix Faucets. Used in sink mount faucets and exposed wall mount tub/shower. Used on cold side with lever handle only.



## DIVERTER STEM ASSEMBLIES

All stem and bonnet assemblies are plastic unless otherwise noted

### Streamway/ Aquastream



**P60**  
RIGHT HAND  
PLASTIC/BRASS  
For Streamway and Aquastream washerless cartridge. Used in sink mount faucets and exposed wall mount tub/shower. Used on hot and cold sides with acrylic handles.



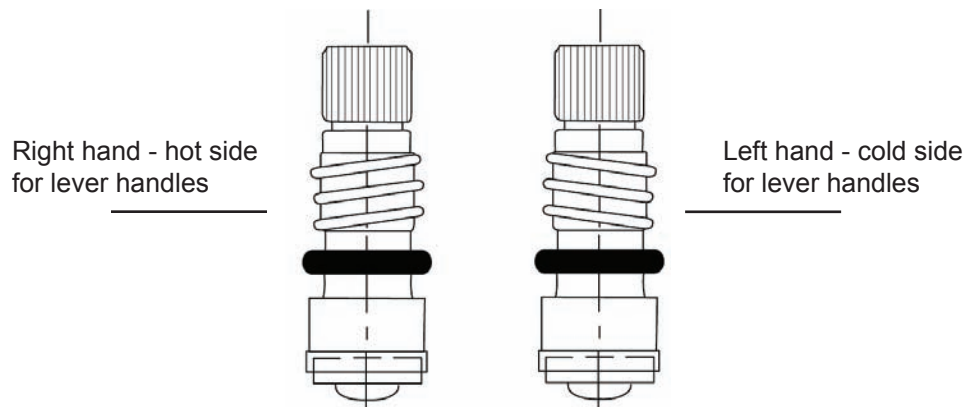
**1610-5-0**  
RIGHT HAND  
For concealed wall mount tub/shower faucets with 2" maximum wall thickness. Used on hot and cold sides with acrylic handles.



**1639-5-0**  
DIVERTER STEM  
For wall mount tub/shower faucets with 2" maximum wall thickness

## RIGHT HAND vs. LEFT HAND STEM AND BONNETS

Two handle faucets with standard acrylic handles use the same stem assembly for the hot and cold sides: A right hand stem and bonnet that opens when the handles is turned counter clockwise (left) and closes in a clockwise (right) direction.



Two handle faucets with lever handles are designed to open when you pull the levers toward you and to close when you push the levers back. Therefore, these faucets use a right hand stem and bonnet on the hot water side, and a left hand stem and bonnet on the cold water side. We know that seems backwards, but that's how it's done .... Really!



## DIVERTER STEM ASSEMBLIES

All stem and bonnet assemblies are plastic unless otherwise noted



639-5-0  
PLASTIC  
For Phoenix 3 valve tub/shower diverters. Use in wall or deck thicknesses up to 7/8". New style, replaces 60-4D-0.



1600-4D-0  
PLASTIC  
For Phoenix 3 valve wall mount tub/shower diverters. Used for thick wall construction up to 2".



60-4D-0 (stem)  
60-5D-0 (brass bonnet)  
PLASTIC  
For Phoenix 3 valve wall mount tub/shower diverters. Used in wall thicknesses up to 7/8". Old style, obsolete in 1991, not interchangeable with 639-5-0.



2601-4D-0  
BRASS  
For Nibco 3 valve tub/shower diverters.



## RENEWABLE SEATS

Renewable seats, also known as “renu” or “bibb” seats, are required by code for all faucets mounted in a concealed installation behind a wall or beneath a ledge. Renewable seats are also offered as an upgrade option in brass and plastic faucets installed on sinks or in exposed installations in front of the wall.

Renu seats make it possible to completely repair and eliminate any faucet leaks without having to replace the faucet. Most renewable seats are manufactured from brass though several nylon versions are available for particularly corrosive water conditions.

### **ALL RENEWABLE SEATS ACCEPT A 5/16” ALLEN WRENCH UNLESS OTHERWISE NOTED.**



40-1  
BRASS  
Used in cast brass underbodies for sink mount faucets and exposed tub/shower.  
Streamway #108-25



60-1  
BRASS  
Used in brass, concealed 2 valve and 3 valve tub/shower.  
Streamway #970-20

HEIGHT: 1.24  
PITCH: 20



P40-12-1  
NYLON  
Used in plastic underbodies. For sink mount faucets and exposed tub/shower.  
1/4” hex



38-1  
BRASS  
Used in deck mount, 2 valve garden tub fillers.

HEIGHT: 1.59  
PITCH: 20



30-1  
BRASS  
Used in cast brass underbodies for concealed 3-3/8” shower valves.  
Streamway #118-20

Phoenix Products, Inc.  
583 Miller Rd.  
Avon Lake, OH 44012  
1.440.933.8100 Phone  
1.800.222.6041 Toll free  
1.440.933.6252 Fax  
[www.phoenixfaucets.com](http://www.phoenixfaucets.com)